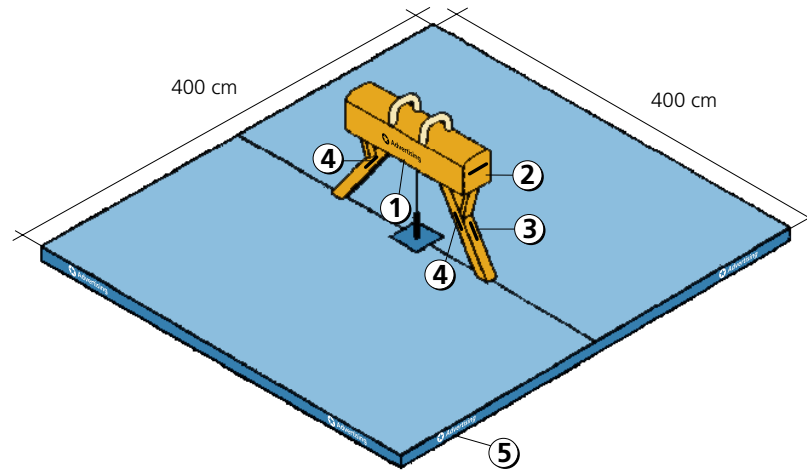


## Pommel Horse

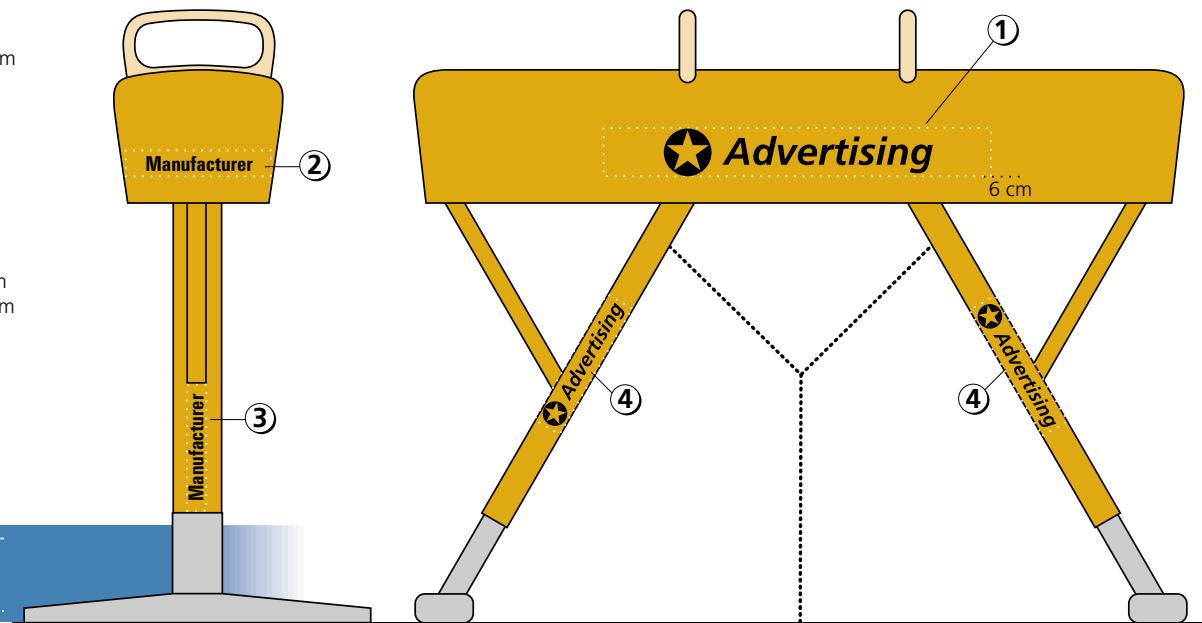


- ⑤ Set of landing mats:  
2 mats 200 x 400 x 10 cm
- 1 advertising area or  
1 manufacturer identification  
per mat side, centred, 100 x 8 cm

- ① Side surface approx. 160 x 28 cm.  
Maximum advertising area on both sides  
each 80 x 10 cm
- 1 advertising area on each side, centred,  
6 cm from the lower edge

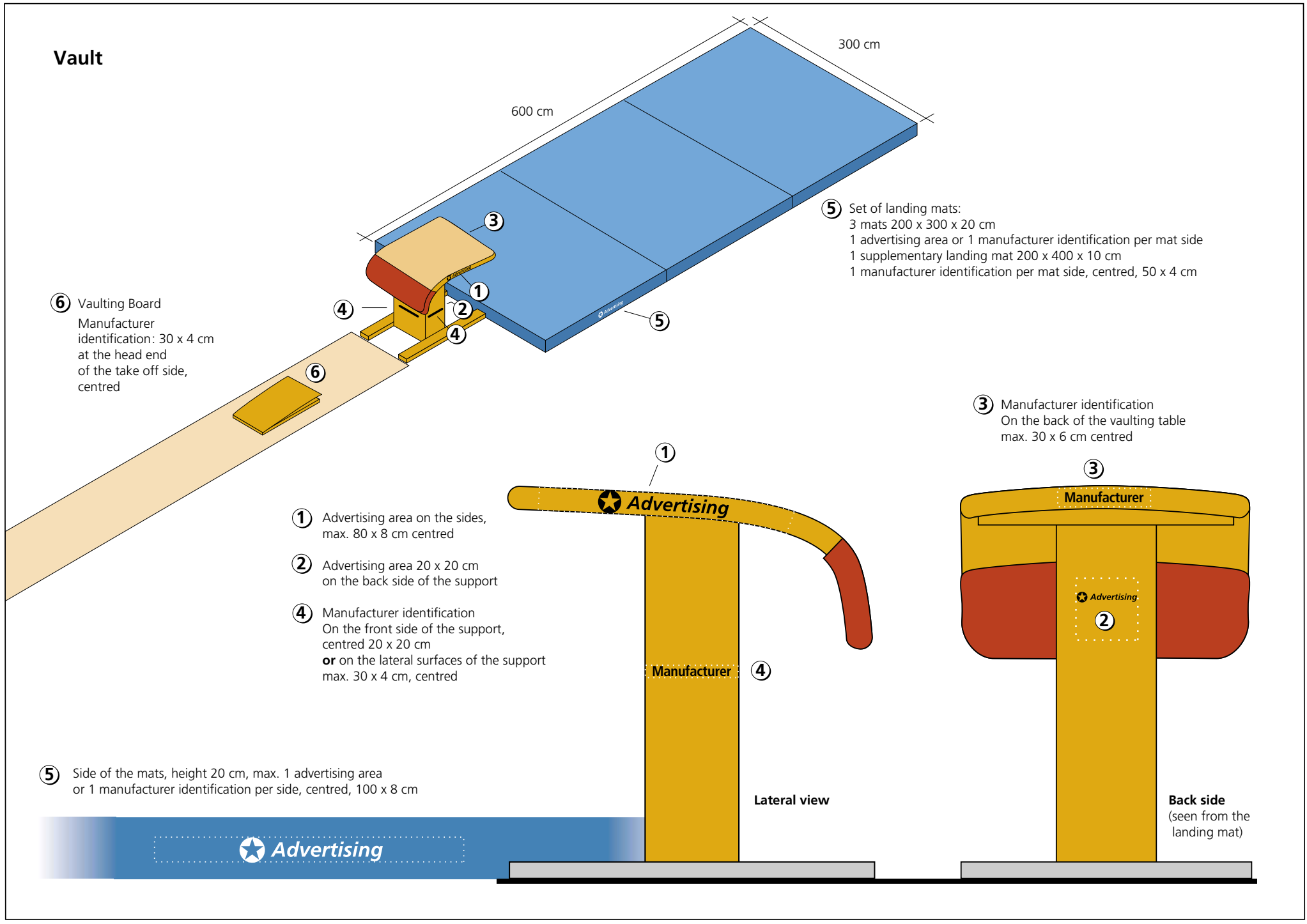
- ② Head ends approx. 35 x 28 cm  
Manufacturer identification: 30 x 4 cm  
on each side, centred,  
6 cm from the lower edge
- ③ Manufacturer identification  
on superior surface  
of the support legs: 30 x 4 cm
- ④ On the sides of the support legs:  
maximum advertising area: 30 x 6 cm  
manufacturer identification: 30 x 4 cm  
centred

- ⑤ Side of the mats, height 10 cm, max. 1 advertising area  
or 1 manufacturer identification per side, centred, 100 x 8 cm



 **Advertising**

# Vault



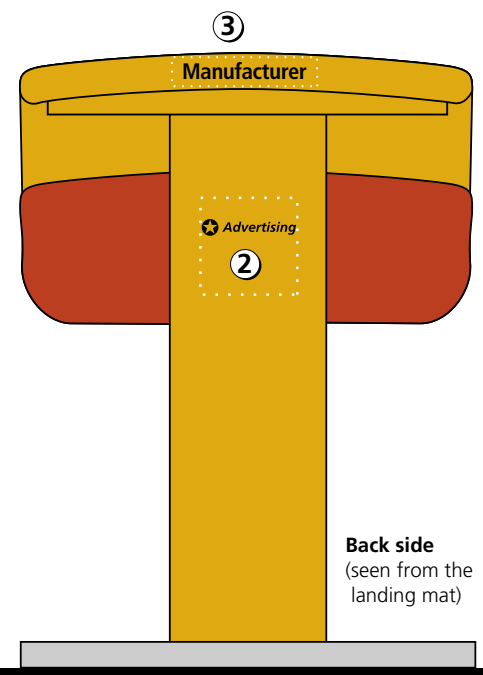
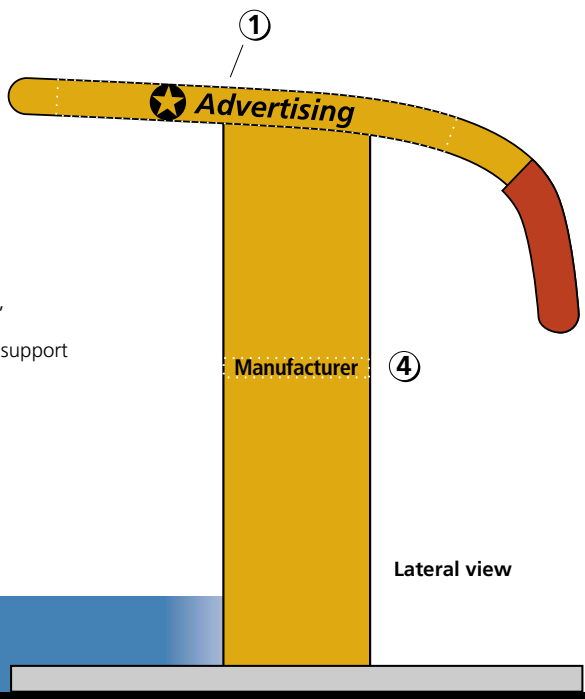
- ⑤ Set of landing mats:  
 3 mats 200 x 300 x 20 cm  
 1 advertising area or 1 manufacturer identification per mat side  
 1 supplementary landing mat 200 x 400 x 10 cm  
 1 manufacturer identification per mat side, centred, 50 x 4 cm

- ⑥ Vaulting Board  
 Manufacturer identification: 30 x 4 cm at the head end of the take off side, centred

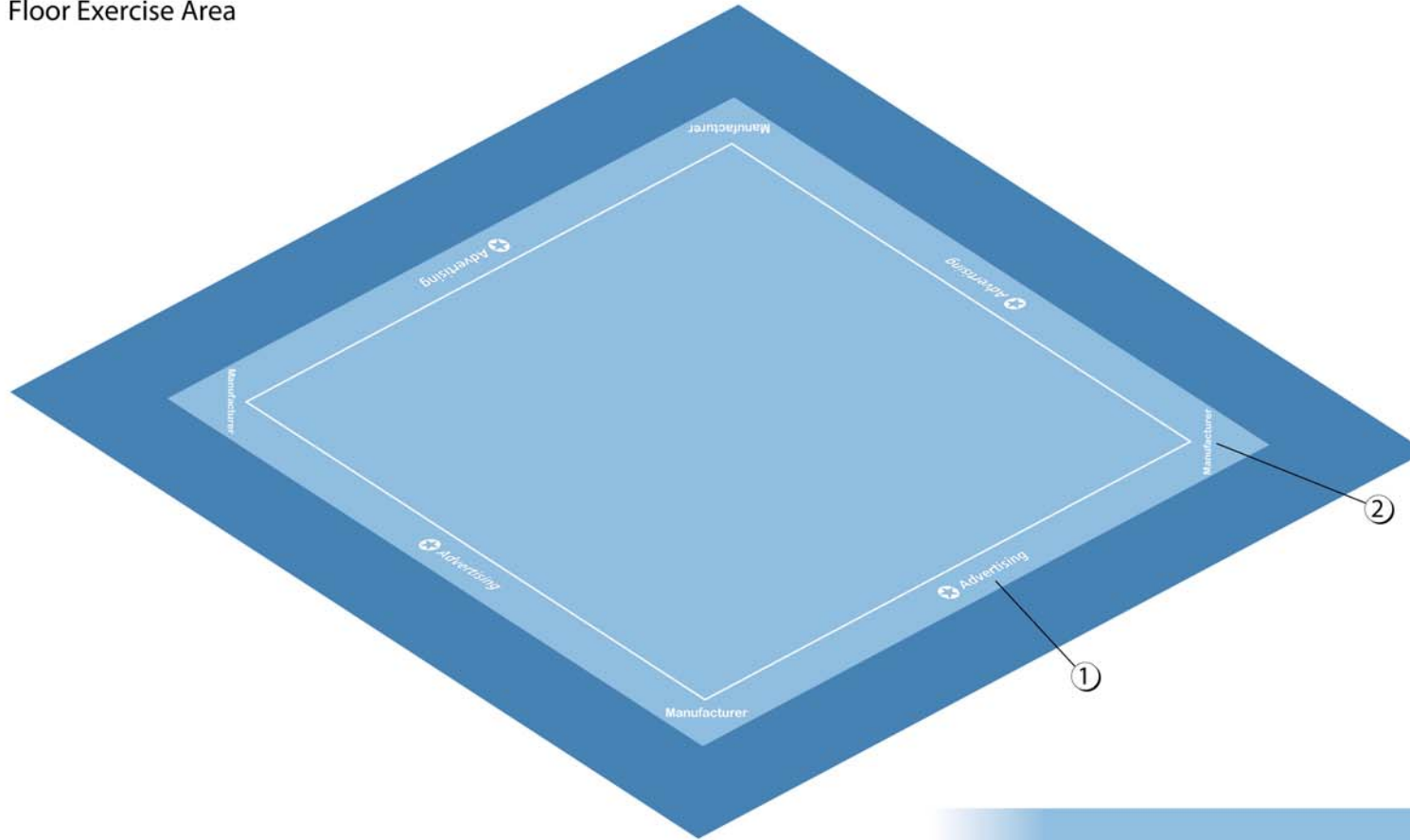
- ③ Manufacturer identification  
 On the back of the vaulting table  
 max. 30 x 6 cm centred

- ① Advertising area on the sides, max. 80 x 8 cm centred
- ② Advertising area 20 x 20 cm on the back side of the support
- ④ Manufacturer identification  
 On the front side of the support, centred 20 x 20 cm  
 or on the lateral surfaces of the support max. 30 x 4 cm, centred

- ⑤ Side of the mats, height 20 cm, max. 1 advertising area or 1 manufacturer identification per side, centred, 100 x 8 cm

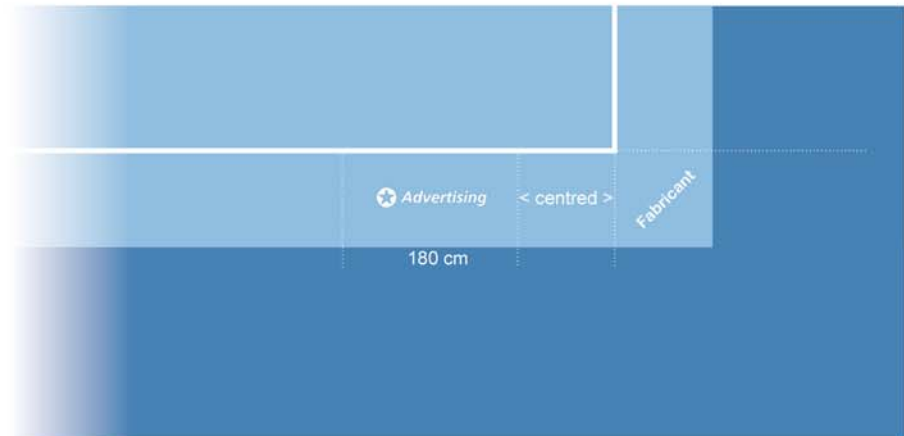


# Floor Exercise Area

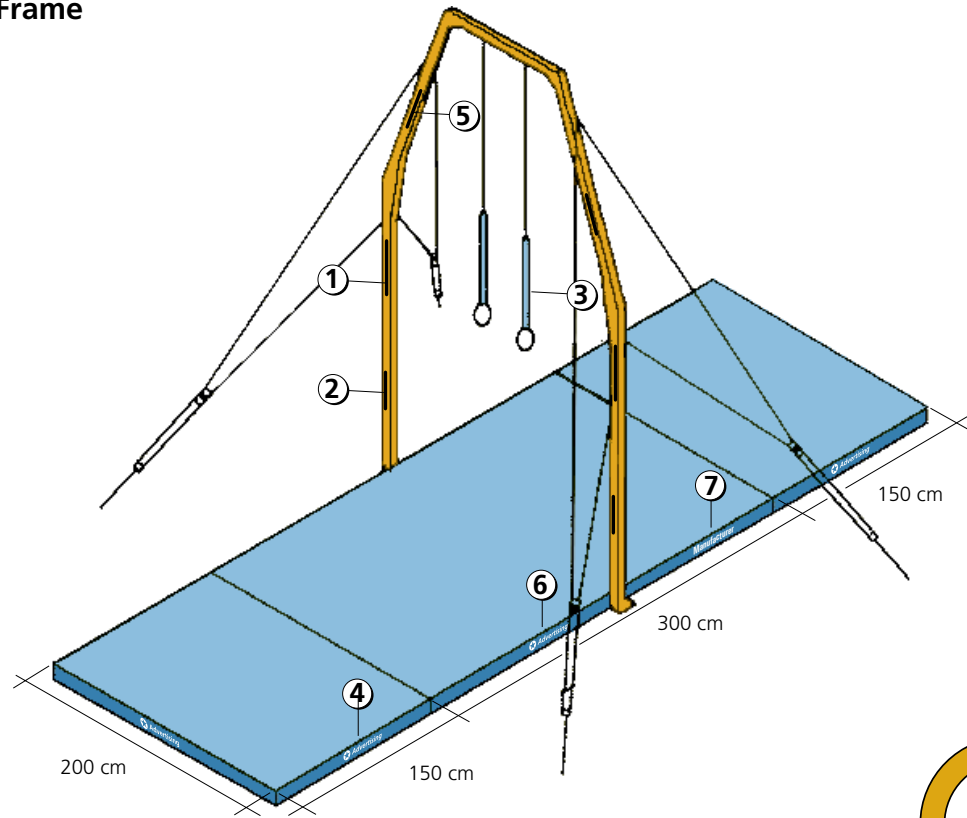


Total floor exercise area measurements:  
ART-RG-ACRO: 14 x 14 m  
AER: 12 x 12 m

- ① Maximum advertising area: 180 x 20 cm  
one on each side of the safety border, centred
- ② Manufacturer identification: 70 x 10 cm  
one on each corner on the safety border



# Ring Frame



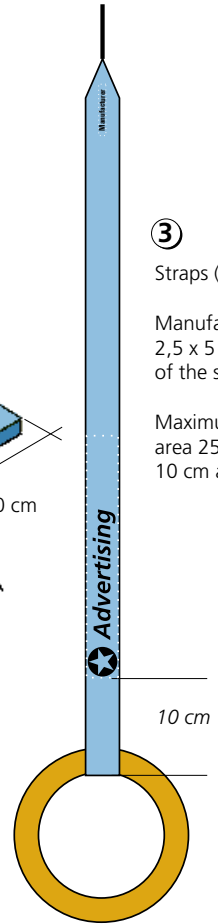
Set of landing mats:  
 1 mat 200 x 300 x 20 cm  
 2 mats 200 x 150 x 20 cm

⑥ ⑦

On the sides of the mat placed under rings,  
 200 x 300 x 20 cm,  
 1 manufacturer identification and 1 advertising area  
 centred between the support and the end of the mat.  
 100 x 8 cm

④

Side of the mats,  
 200 x 150 x 20 cm  
 1 advertising area or 1 manufacturer identification  
 per mat side, centred,  
 100 x 8 cm

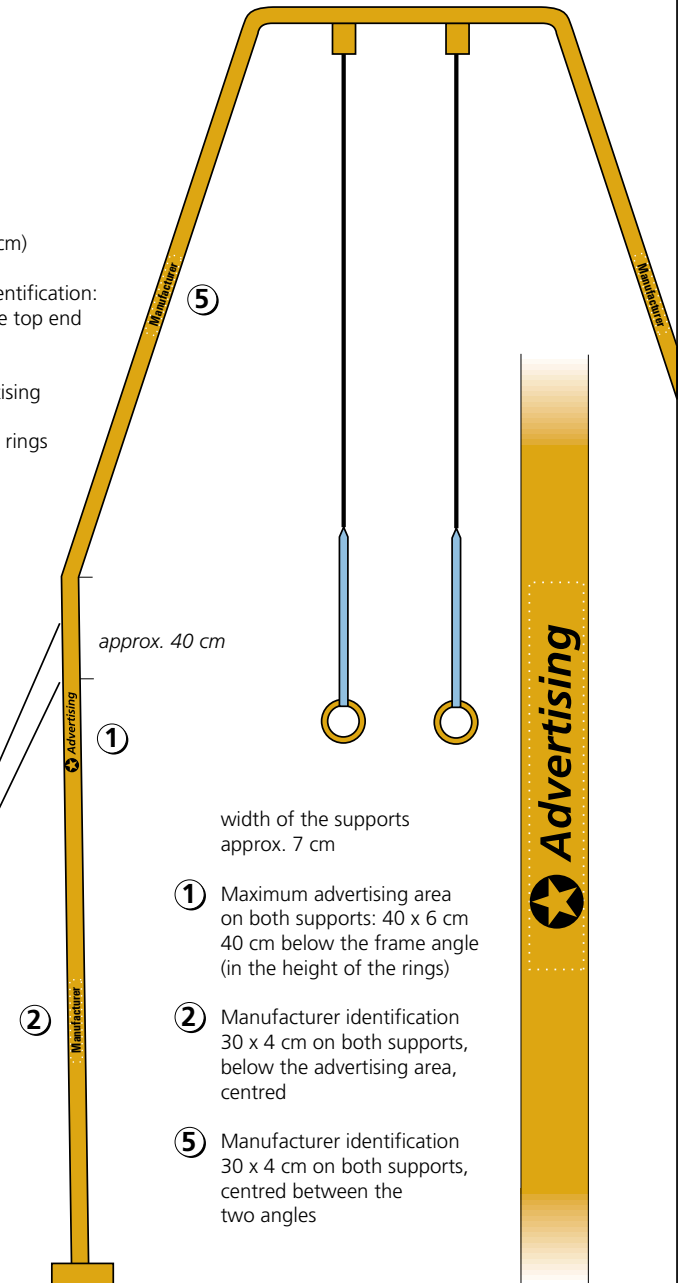


③

Straps (70 x 3,5 cm)

Manufacturer identification:  
 2,5 x 5 cm on the top end  
 of the straps

Maximum advertising  
 area 25 x 3,5 cm  
 10 cm above the rings



approx. 40 cm

width of the supports  
 approx. 7 cm

①

Maximum advertising area  
 on both supports: 40 x 6 cm  
 40 cm below the frame angle  
 (in the height of the rings)

②

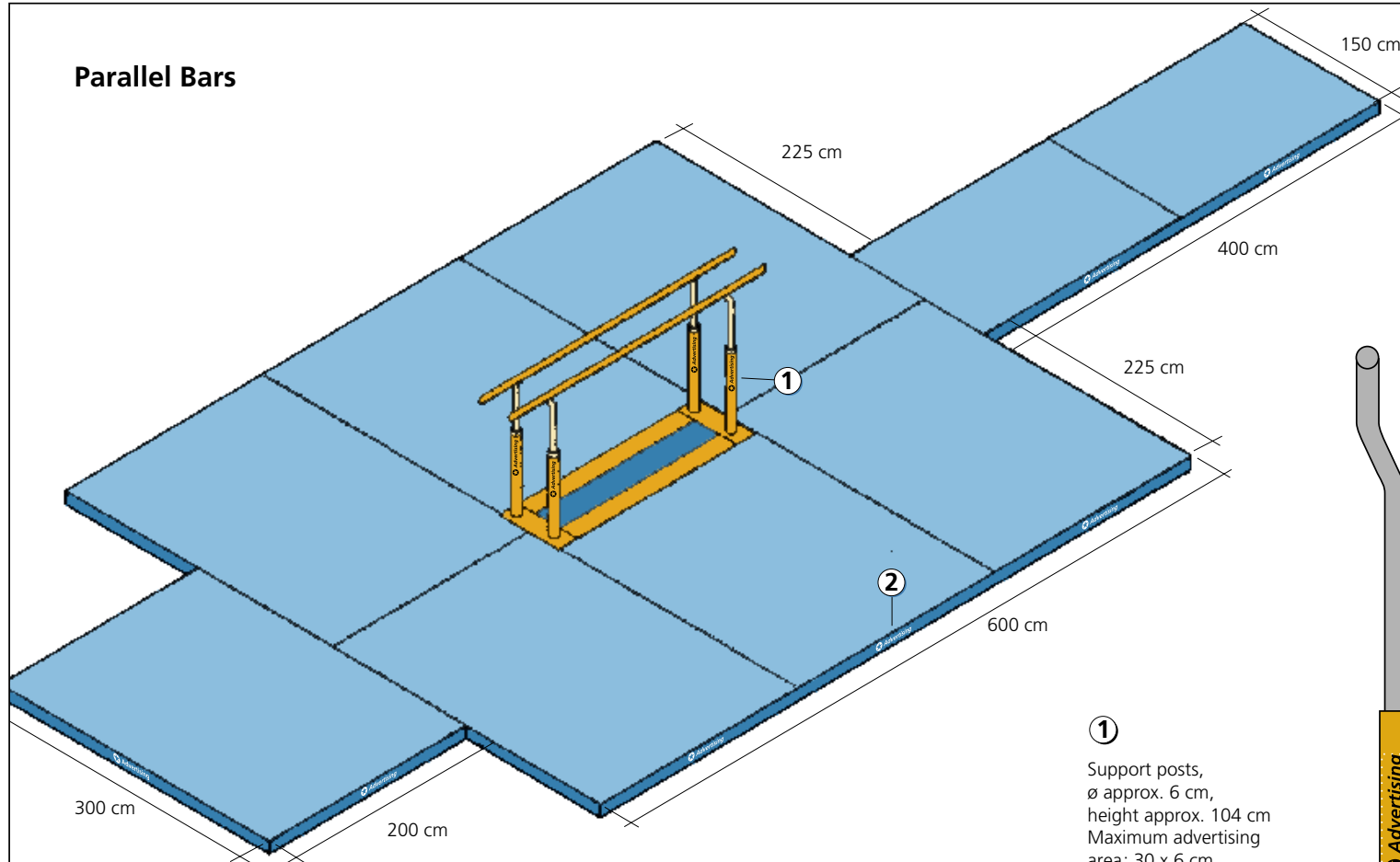
Manufacturer identification  
 30 x 4 cm on both supports,  
 below the advertising area,  
 centred

⑤

Manufacturer identification  
 30 x 4 cm on both supports,  
 centred between the  
 two angles



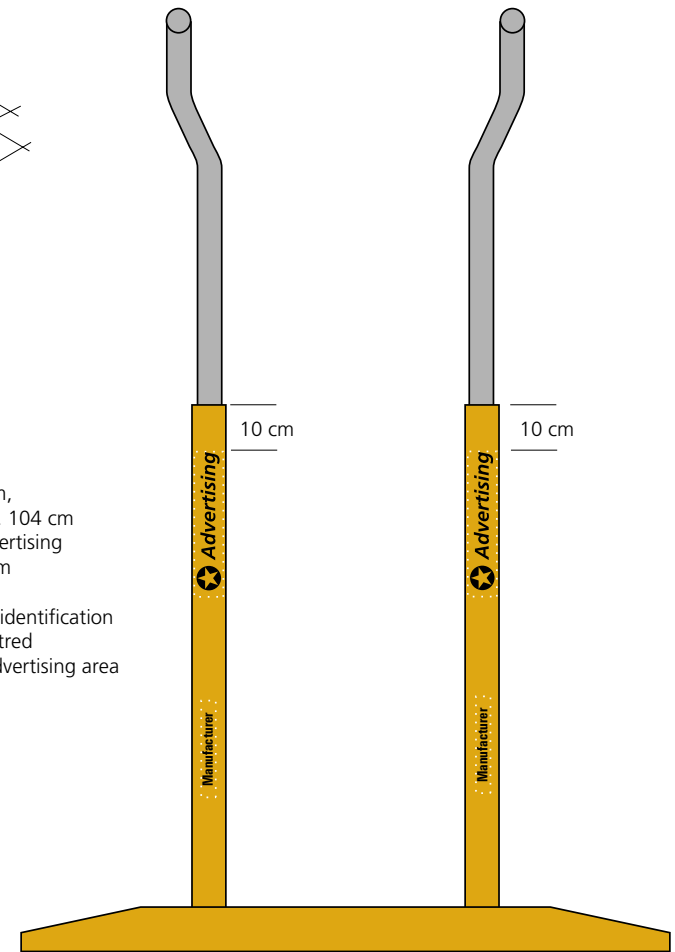
# Parallel Bars



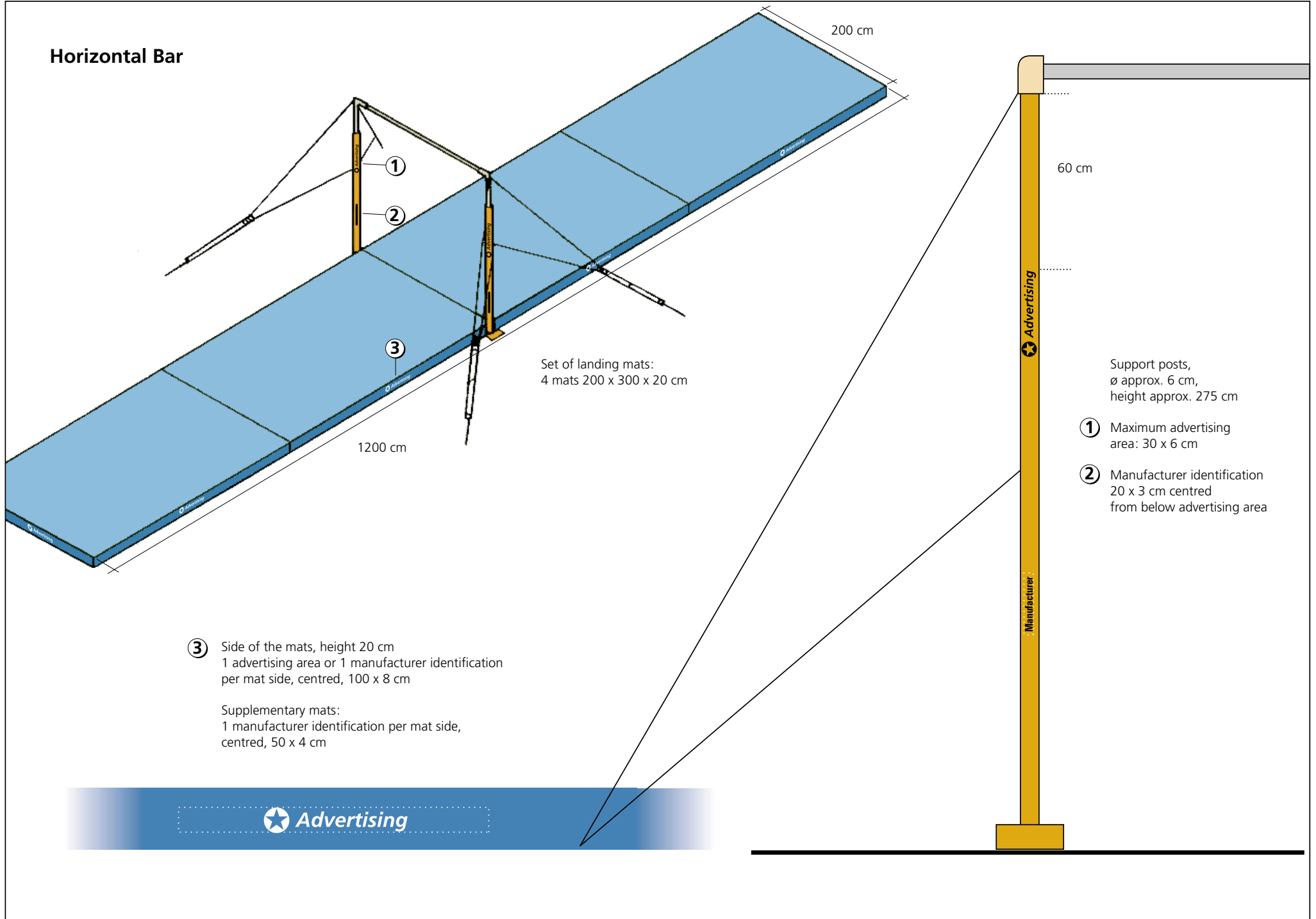
Set of landing mats:  
 5 mats 200 x 300 x 20 cm  
 2 mats 200 x 265 x 20 cm  
 2 mats 200 x 150 x 20 cm  
 1 inlay mat

② Side of the mats, height 20 cm  
 1 advertising area or 1 manufacturer identification  
 per mat side, centred, 100 x 8 cm

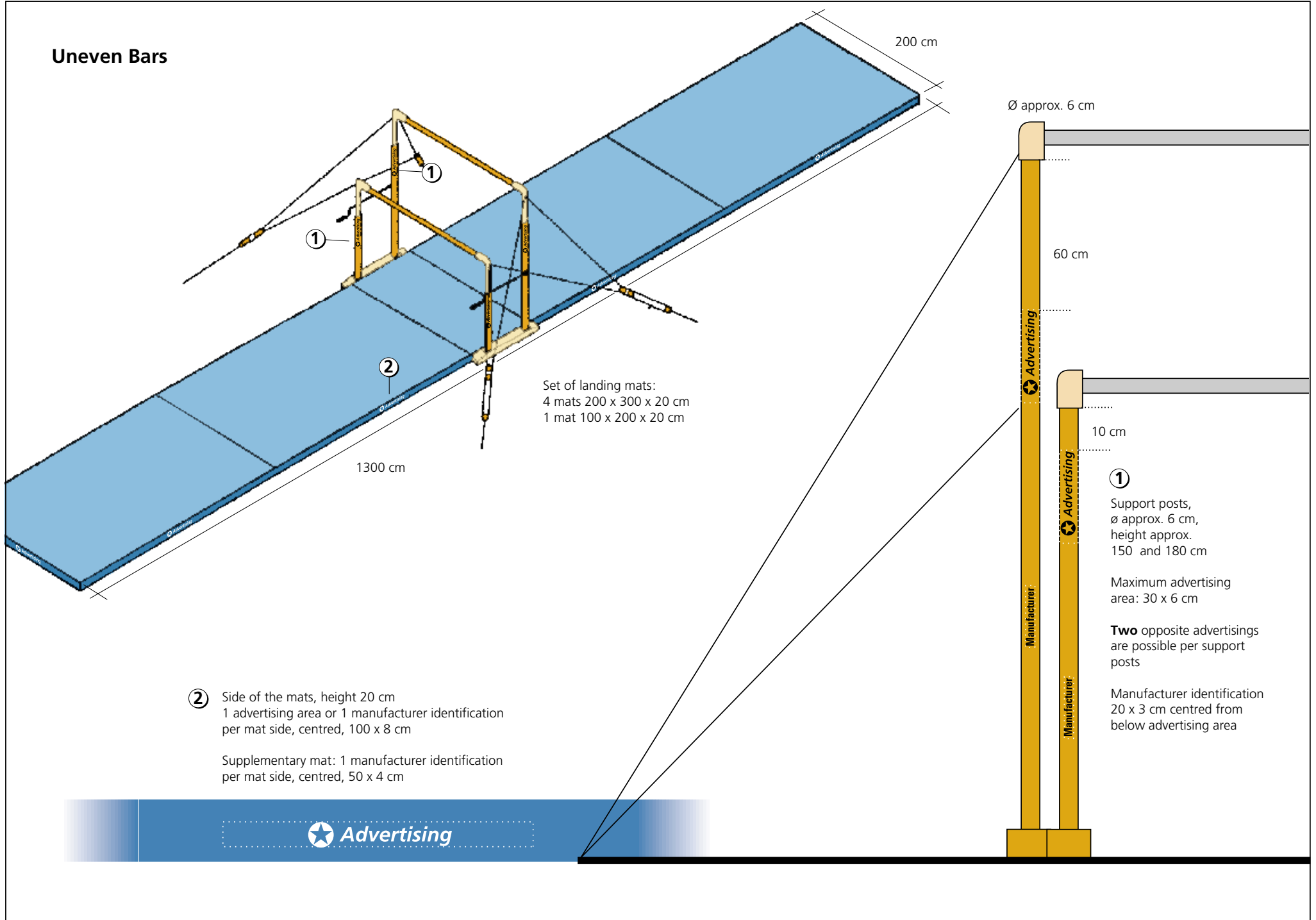
① Support posts,  
 ø approx. 6 cm,  
 height approx. 104 cm  
 Maximum advertising  
 area: 30 x 6 cm  
  
 Manufacturer identification  
 20 x 3 cm centred  
 from below advertising area



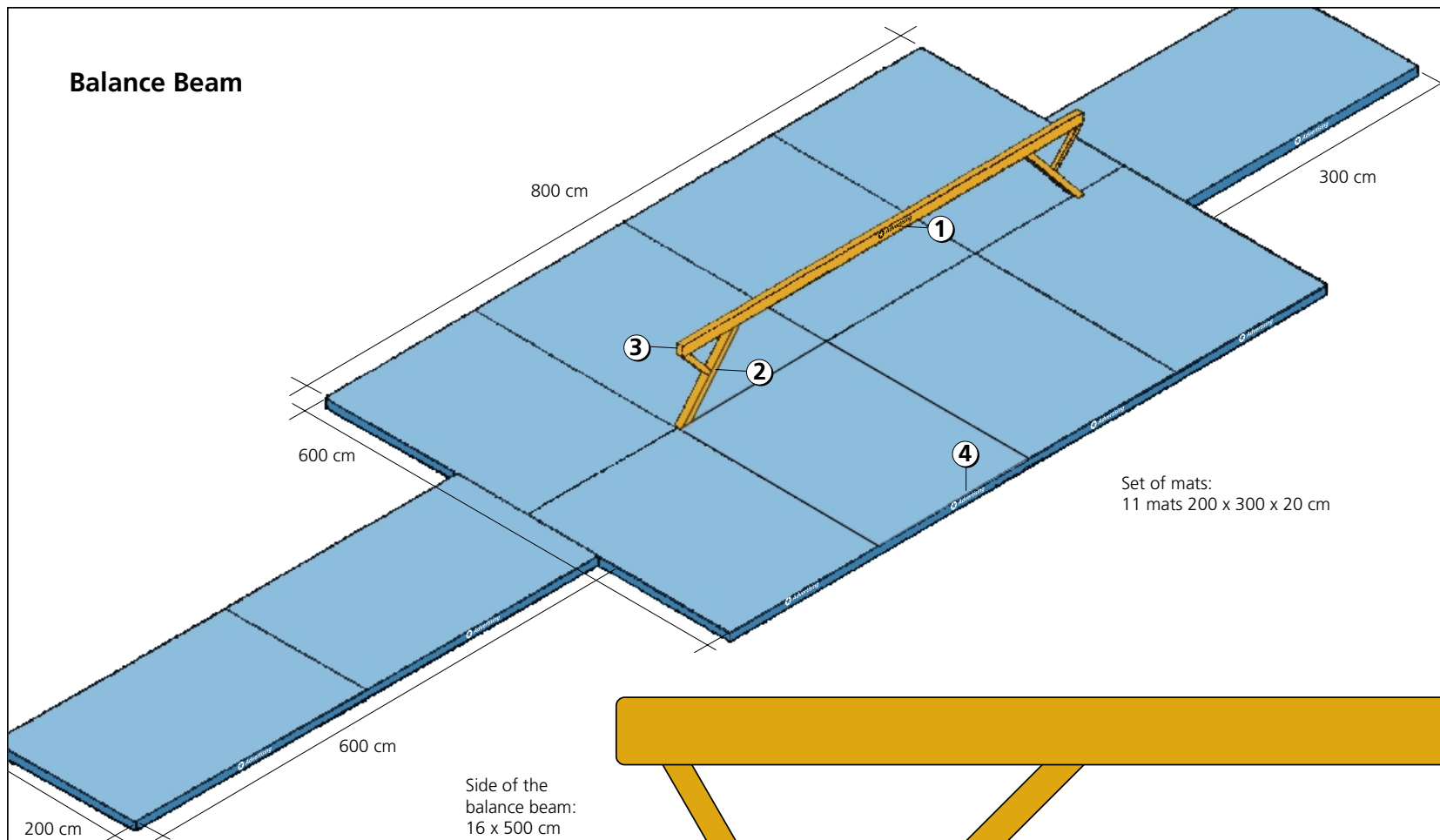
## Horizontal Bar



# Uneven Bars



# Balance Beam



① 1 advertising area, centred,

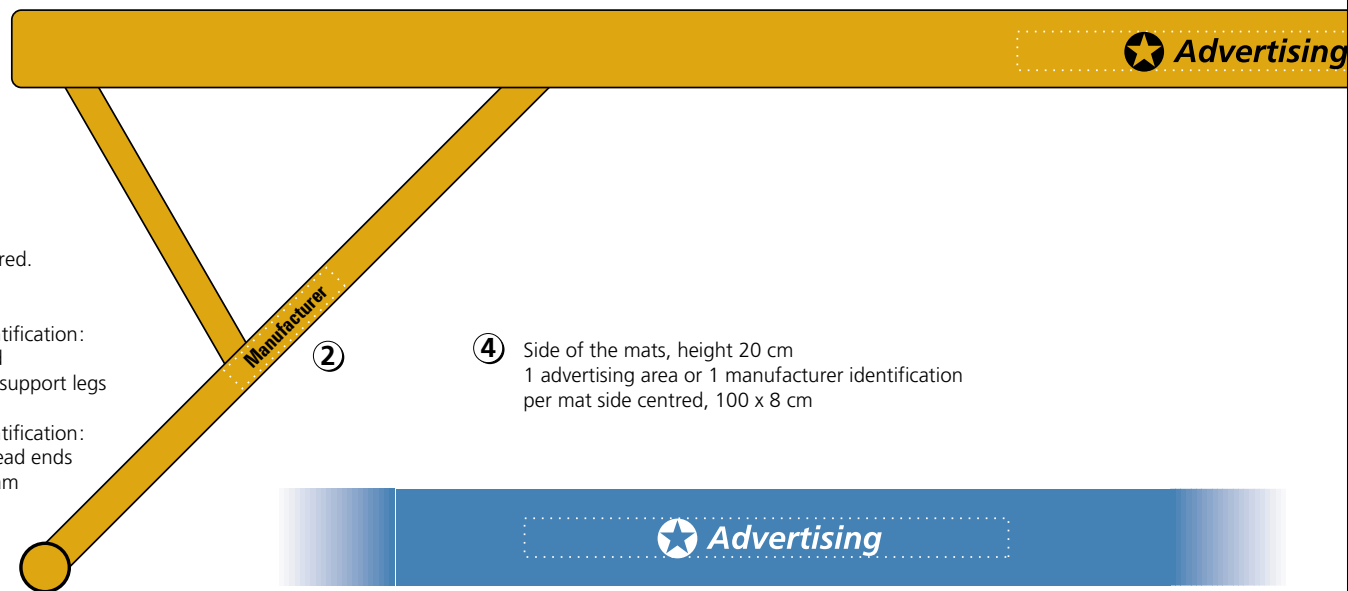
Side of the balance beam:  
16 x 500 cm

① Max. advertising area: 100 x 8 cm  
One per side, centred.

② Manufacturer identification:  
30 x 4 cm, centred  
on the side of the support legs

③ Manufacturer identification:  
6 x 8 cm on the head ends  
of the balance beam

④ Side of the mats, height 20 cm  
1 advertising area or 1 manufacturer identification  
per mat side centred, 100 x 8 cm





## Chalk Stand



**① Box**  
Max. advertising area: 30 x 4 cm  
Manufacturer identification: 20 x 3 cm  
One per side.

**② Support**  
Manufacturer identification  
20 x 3 cm, centred